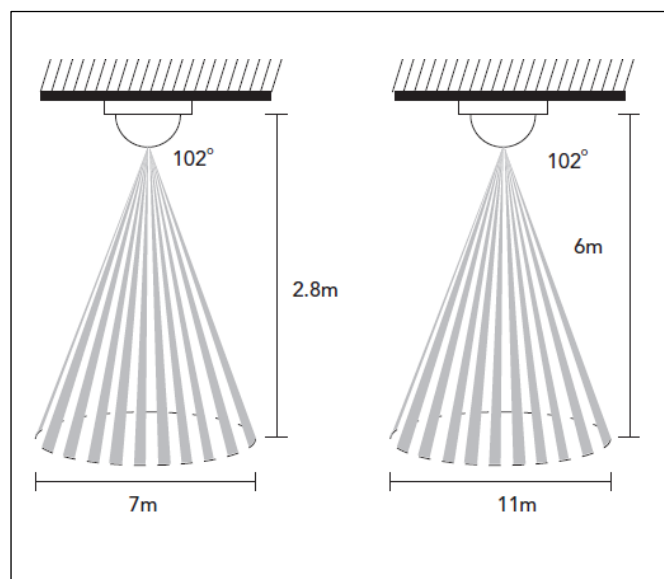


360° PIR FOR CAESAR, SULTAN AND VULCAN

Product Code:	R360PIR-01
Maximum Load Current (A):	2
Warranty (yrs):	3
Detection Angle (deg):	360
Ingress Protection (IP):	65
Impact Rating (IK):	10
Operating Temperature (°C):	-10 ≤ Ta ≤ +40
Operating Voltage (Vac):	220-240
Default Sensitivity (%):	100
Default Hold Time (min):	5
Default Lux Switching Level:	Full Daylight
Default Standby Level Before Off (%):	20
Default Standby Time Before Off (min):	60
Length (mm):	149
Width (mm):	36
Depth (mm):	28
Box Qty:	1
Weight (kg):	0.1



Detection Zone Diagram:



Accessories:

R360RC-01 PIR Remote Control

PIR Dual Power Sensor Options With Remote:	
Detection sensitivity (%):	100/75/50/20
Hold time:	10sec/1min/5min/15min/30min/60min
Standby level before off (%):	0/10/20/30
Standby time before off:	1min/30min/60min/24Hrs
Lux switching level (lx):	50 lx
Mounting height range (m):	2.5 – 7 Max
Remote range (m):	10m Max
Memory Function:	Enter single program to memory button, to allow for rapid programming of additional sensors.

Standards & Approvals:

Complies with: EN 60669-1, EN 60669-2-1, EN 55014-1, EN 55014-2, EN6100-3-2, EN6100-3-3

